

Description:

The purpose of the section is to highlight the current applicable UMD Design Standards for the design of common site features utilized on the campus.

Related Sections:

- TBD

Effective Date:

January 1, 2023

Applicable Standards:

- Maryland Department of Transportation
- ADA Standards for Accessible Design

General Requirements:

Campus wide site standards (and associated details) have been established for the following items:

- Concrete Steps:
 - w/o Cheek wall
 - w/Cheek wall
- Curb Types: Any roll-up versions are prohibited for use on campus
 - Bituminous Concrete Curb
 - 6" and 8" Concrete Curb and Gutter
 - 8" Mountable Curb
 - 4" Concrete Landscape Curb
- Handrail Types:
 - TBD
- Paving Types:
 - Concrete Pavers
 - Concrete Walks
 - Bituminous Asphalt Paving
 - Brick on Concrete
- Planting Details:
 - Trees: TBD
 - Shrubs: TBD
- Ramps for Persons with Disabilities (PWD):
 - PWD Ramp, Plan View
 - PWD Ramp, Section
- Security Gates:
 - PWD Ramp, Section
- Ramps for Persons with Disabilities (PWD):
 - PWD Ramp, Plan View
 - PWD Ramp, Section
- Dumpster Pad:
 - PWD Ramp, Plan View
 - PWD Ramp, Section

Specific Requirements:

Concrete Steps w/o Cheek wall

- Use Criteria: provide its expected/typical location and/or use
- Manufacturer: N.A.
- Model: N.A.
- Description/Material: Cast-in-place (*as specified*)
- Finish: Non smooth slip resistant
- Performance: Meets ADA requirements Railing criteria
- Related Details: TBD

Concrete Steps w/ Cheek wall

- Use Criteria: provide its expected/typical location and/or use
- Manufacturer: N.A.
- Model: N.A.
- Description/Material: Cast-in-place (*as specified*)
- Finish: Non smooth slip resistant
- Performance: Meets ADA requirements Railing criteria
- Related Details: TBD

Curbs

- Concrete Curb
- 6" and 8" Concrete Curb and Gutter
- 8" Mountable Curb
- 4" Concrete Landscape Curb
 - Use Criteria: provide at expected/typical location
 - Manufacturer: N.A.
 - Model: N.A.
 - Description/Material: Cast-in-place (*as specified*)
 - Finish: Smooth
 - Performance: Meets ADA requirements
 - Related Details: TBD

Handrail (Decorative)

- Material: Moulded steel with flat black paint finish.
- Manufacturer: Acme Iron Works, Inc. Tuxedo, Md.
- Model: Style #104 or similar style
- Description: Moulded steel with red enamel primer and black flat paint finish. Moulded top bar, 1/2" square pickets spaced 4" O.C. and a lamb's tongue.
- Performance: Placed on steps of more than three treads and as required by ADA Standards.

Handrail (Regular)

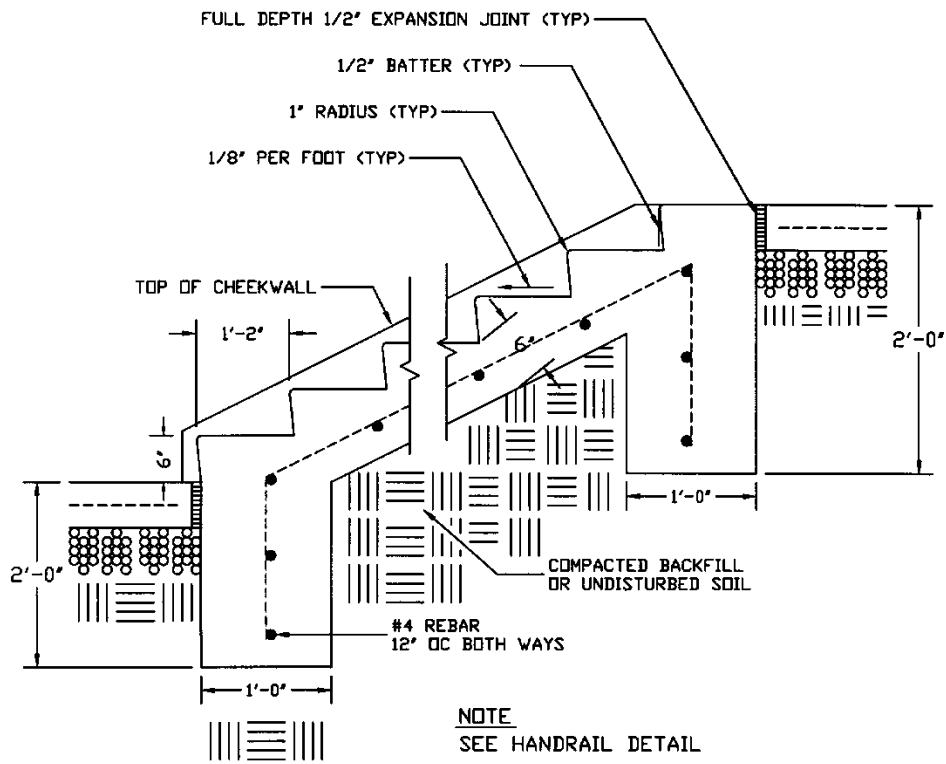
- Material: Fabricated with flat black paint finish.
- Manufacturer: Acme Iron Works, Inc. Tuxedo, Md.
- Model: TBD
- Description: Moulded steel with red enamel primer and black flat paint finish. Moulded top bar, 1/2" square pickets spaced 4" O.C.
- Finish: Painted
- Performance: Placed on steps of more than three treads and as required by ADA Standards.
- Related Details: TBD

Paving Types

- M.1. Interlocking Concrete Pavers
- M.2. Concrete Sidewalk/Walkways
- M.3. Bituminous Asphalt Paving
- M.4. Brick on Concrete

2.13 SITE STANDARDS

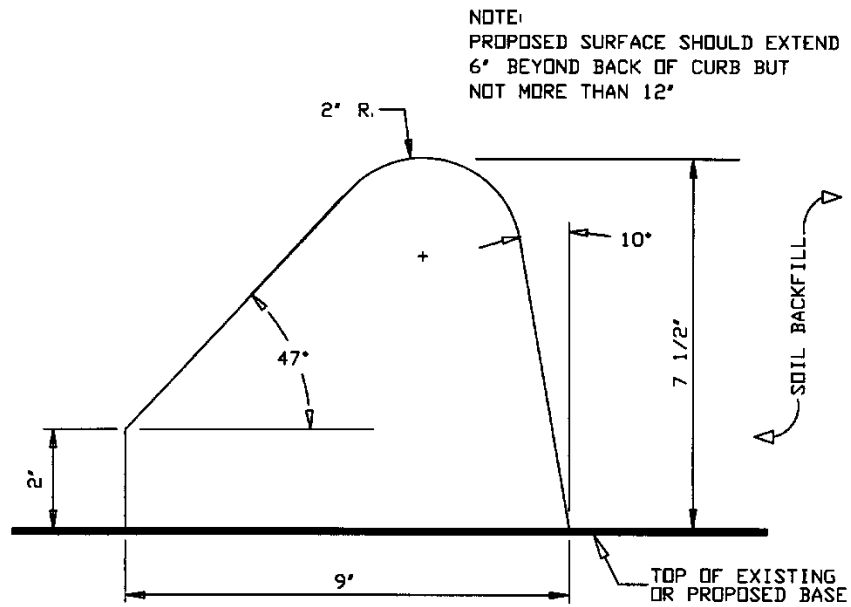
DWG. NO. 16



CONCRETE STEPS
NTS

2.13 SITE STANDARDS

DWG. NO. 17

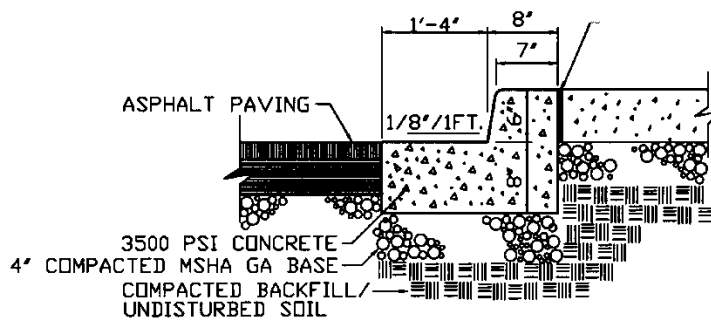


BITUMINOUS CONCRETE CURB

NTS

2.13 SITE STANDARDS

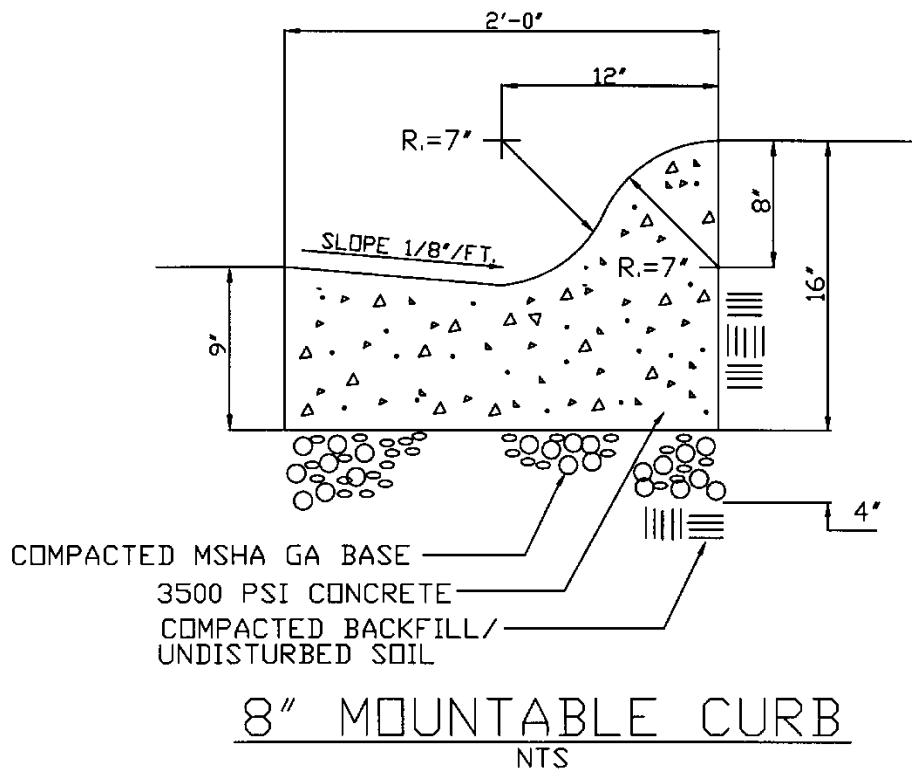
DWG. NO. 18



6" & 8" CONCRETE CURB AND GUTTER
NTS

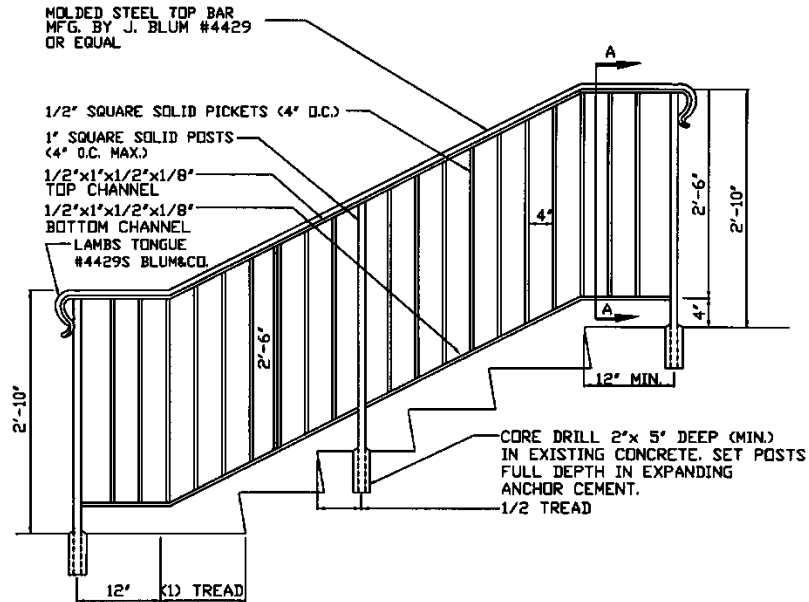
2.13 SITE STANDARDS

DWG. NO. 19



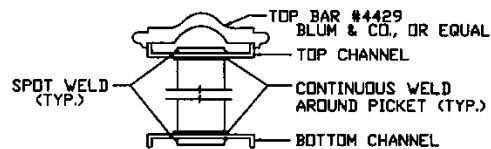
2.13 SITE STANDARDS

DWG. NO. 24



NOTE:

1. PROVIDE HORIZONTAL RAILINGS AT LANDING
2. SLOPE ANCHOR CEMENT AWAY FROM POST AND CONTAIN CLEANLY WITHIN 2" HOLE
3. ALLOW 1" CLEARANCE BETWEEN LAMBS TONGUE AND END POST
4. ALTERNATIVE RAILINGS WILL BE CONSIDERED.

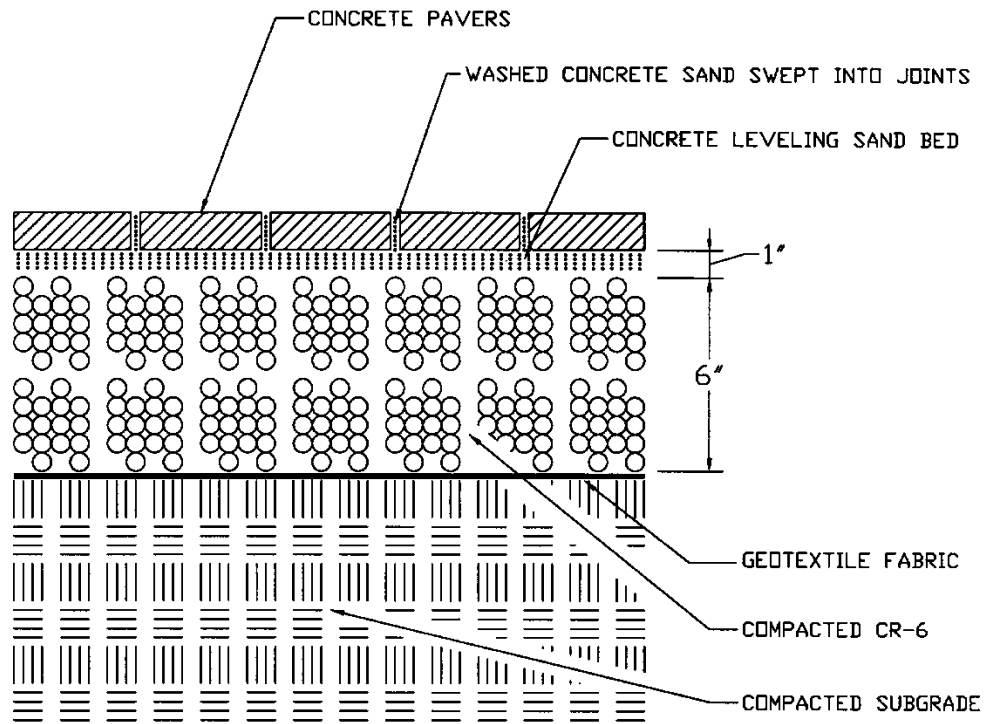


SECTION A-A
NTS

HANDRAIL
NTS

2.13 SITE STANDARDS

DWG. NO. 26

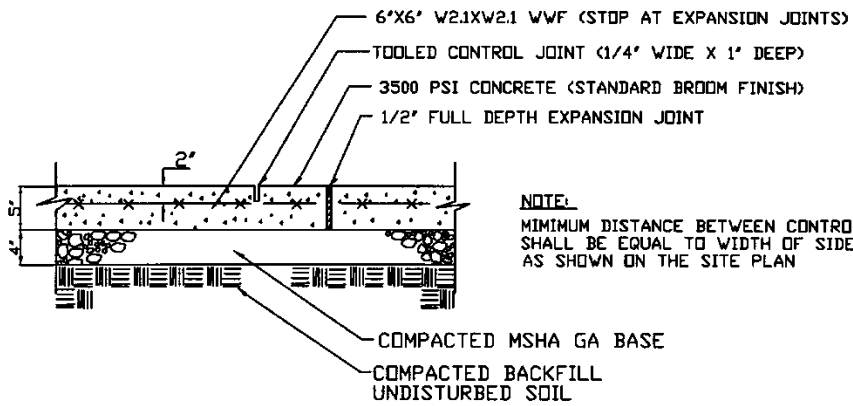


INTERLOCKING CONCRETE PAVERS
NTS

NOTE: CONCRETE PAVER TO BE COMPACTED
WITH VIBRATORY TAMPER

2.13 SITE STANDARDS

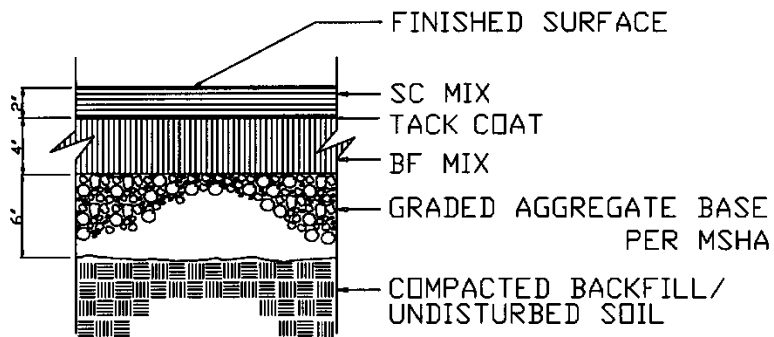
DWG. NO. 27



CONCRETE WALK
NTS

2.13 SITE STANDARDS

DWG. NO. 28



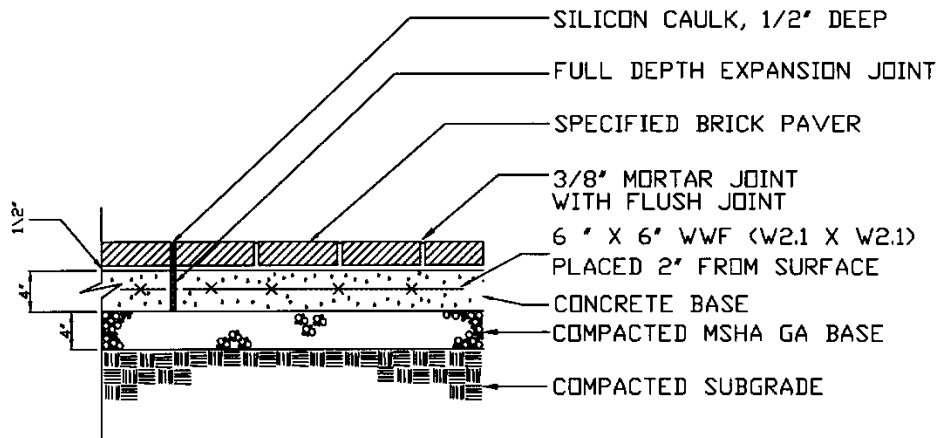
BITUMINOUS ASPHALT PAVING

NTS

NOTE: PROVIDE THIS SECTION ONLY IF ENGINEERED DESIGN IS NOT FEASIBLE, AND ONLY WITH APPROVAL FROM FACILITIES MANAGEMENT

2.13 SITE STANDARDS

DWG. NO. 29



SECTION

BRICK ON CONCRETE
NTS

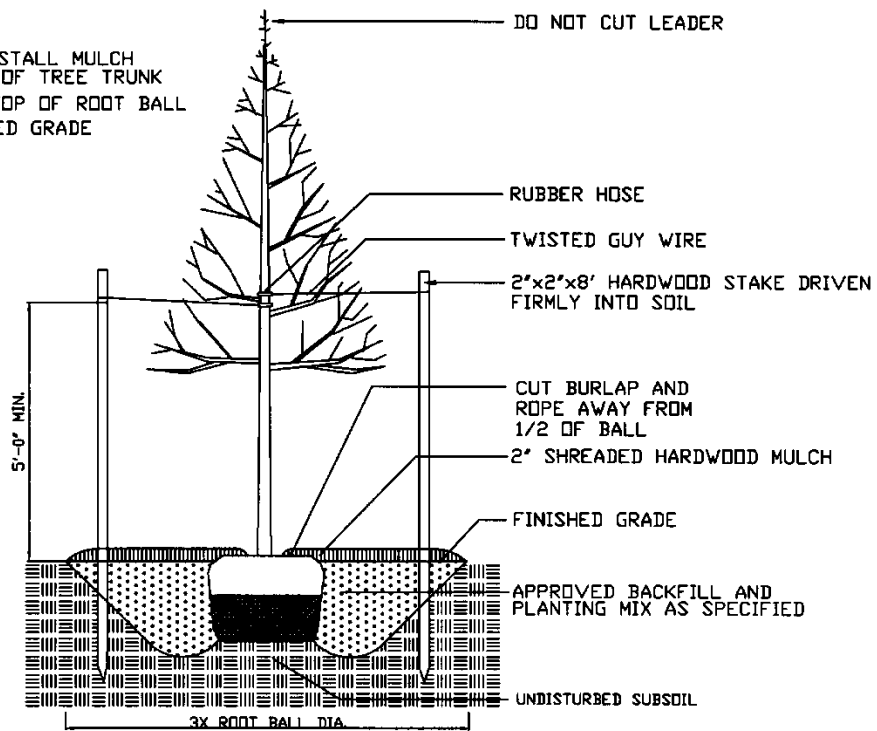
NOTE: FOR USE IN NON-VEHICULAR AREAS. SEE CONCRETE
PAVER DETAIL FOR TYPICAL VEHICULAR PAVEMENT APPLICATION

2.13 SITE STANDARDS

DWG. NO. 31

NOTE:

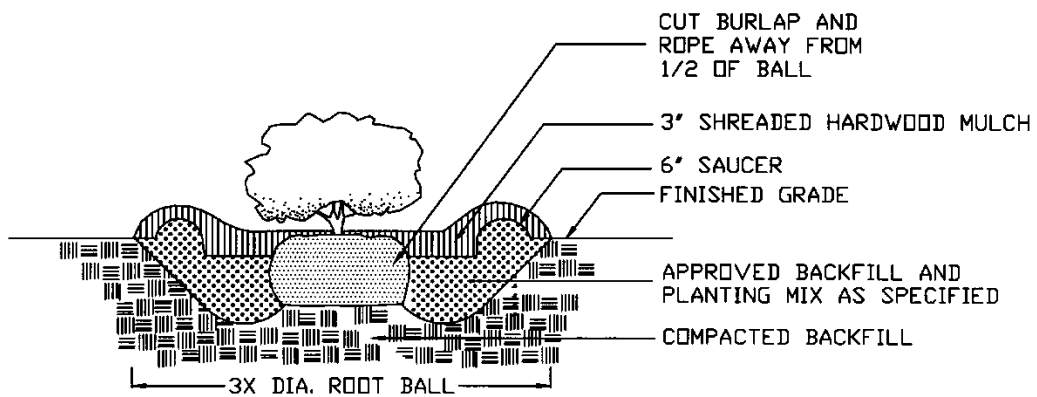
1. DO NOT INSTALL MULCH WITHIN 6" OF TREE TRUNK
2. INSTALL TOP OF ROOT BALL AT FINISHED GRADE



TREE PLANTING DETAIL
NTS

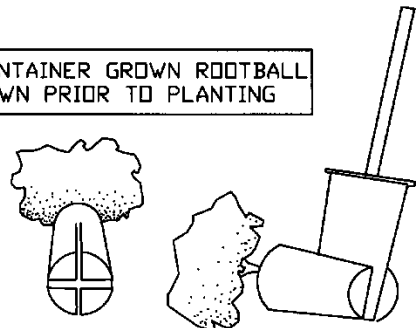
2.13 SITE STANDARDS

DWG. NO. 32



NOTE:
PLANT TOP OF ROOT BALL 2' ABOVE GRADE

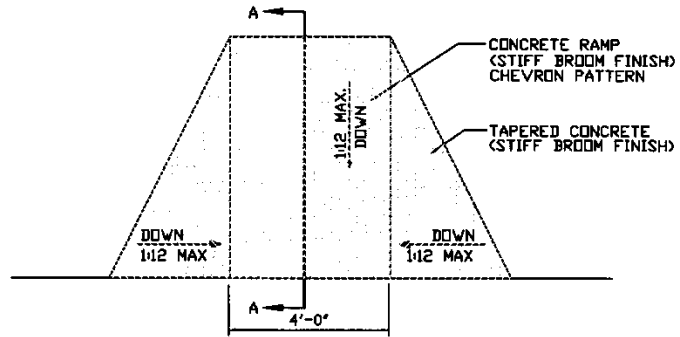
CUT CONTAINER GROWN ROOTBALL AS SHOWN PRIOR TO PLANTING



SHRUB PLANTING DETAIL
NTS

2.13 SITE STANDARDS

DWG. NO. 33



NOTE

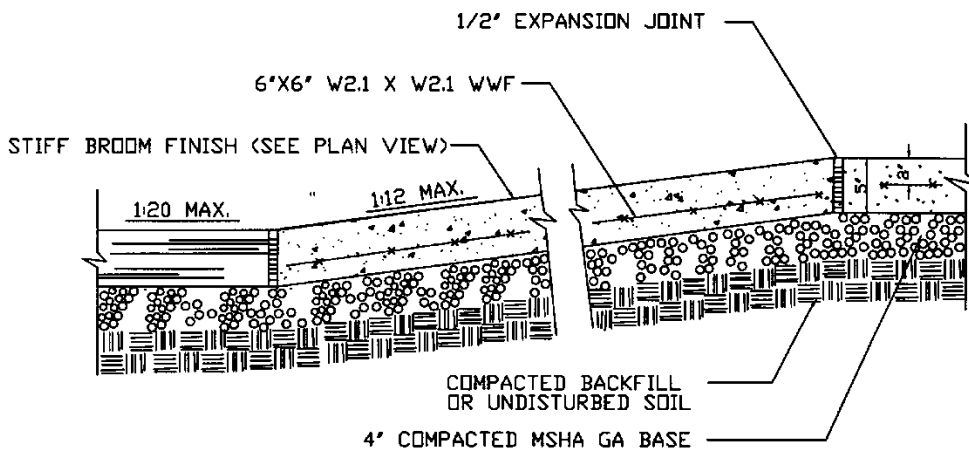
- 1. SEE SECTION A-A
- 2. REFER TO ADA STANDARDS FOR SPECIFIC ADJUNCT SITE REQUIREMENTS

PLAN VIEW

CURB RAMP
NTS

2.13 SITE STANDARDS

DWG. NO.34



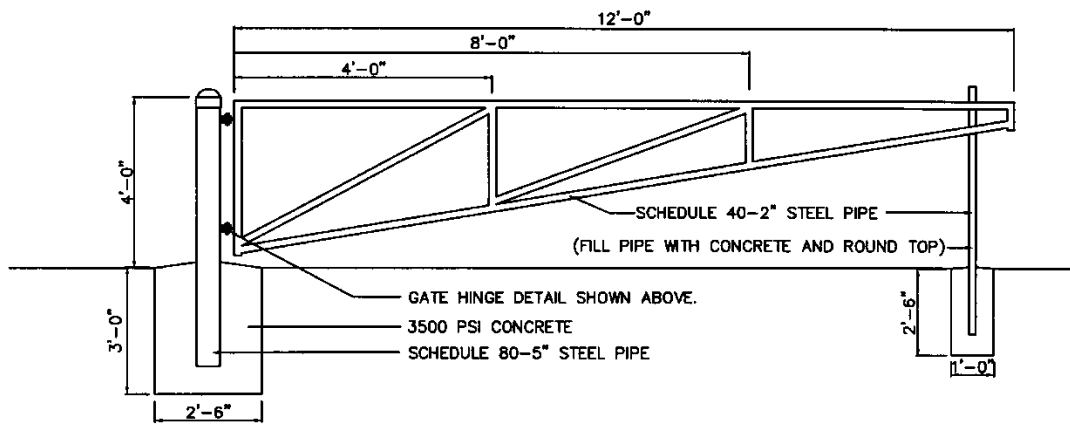
NOTE
3500 PSI CONCRETE (STIFF BROOM FINISH)

SECTION 'A-A'
NTS

PWD RAMP
NTS

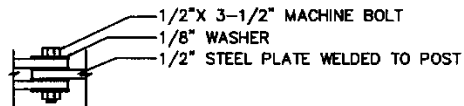
2.13 SITE STANDARDS

DWG.NO. 35



NOTE

1. WELDED JOINTS TO BE CONTINUOUS WELD.
2. APPLY ONE COAT PRIMER AND TWO COATS ENAMEL PAINT, COLOR PER OWNER
3. ATTATCH SIGN TO GATE USING GALVANIZED BOLTS.

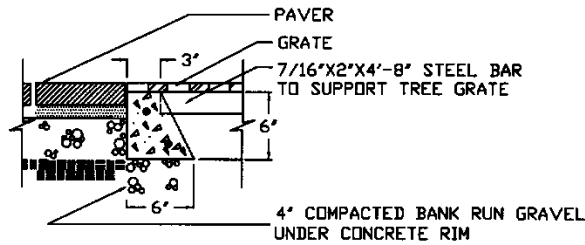


HINGE DETAIL
NTS

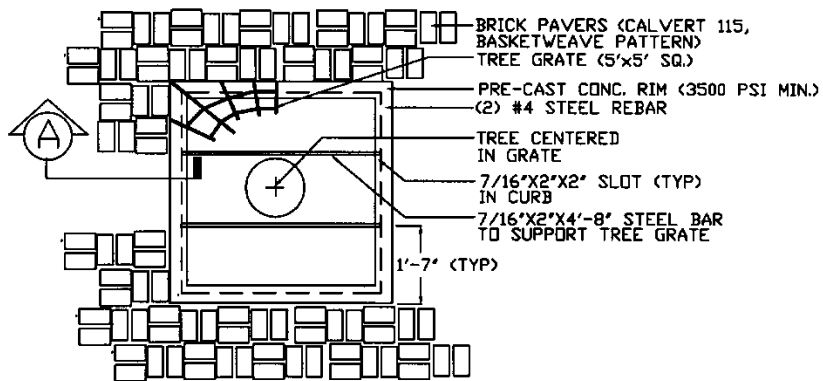
SECURITY GATE
NTS

2.13 SITE STANDARDS

DWG. NO. 36



SECTION 'A-A'



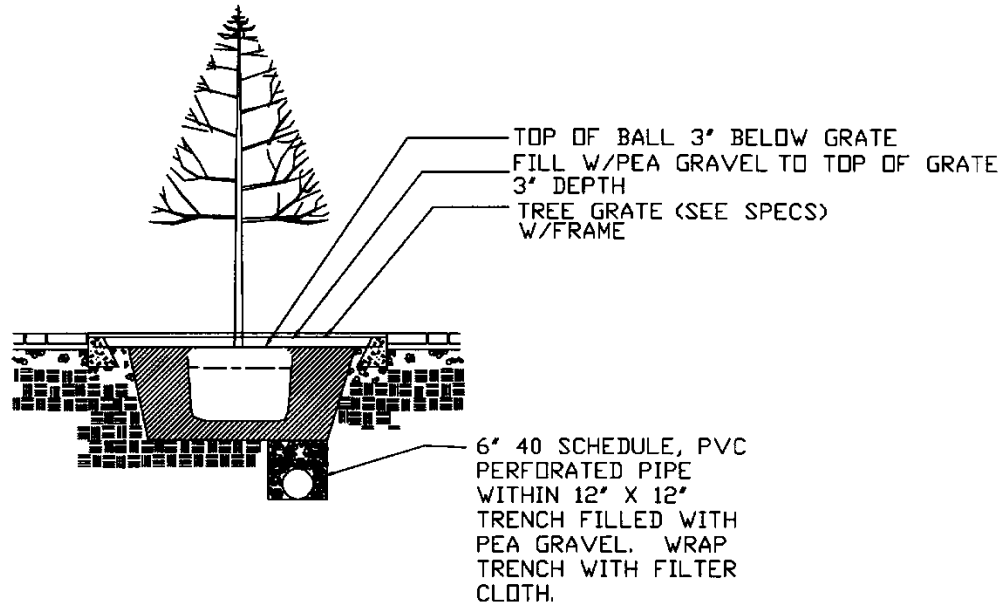
PLAN VIEW

TREE GRATE

NTS

2.13 SITE STANDARDS

DWG. NO. 36A



TREE GRATE

NTS